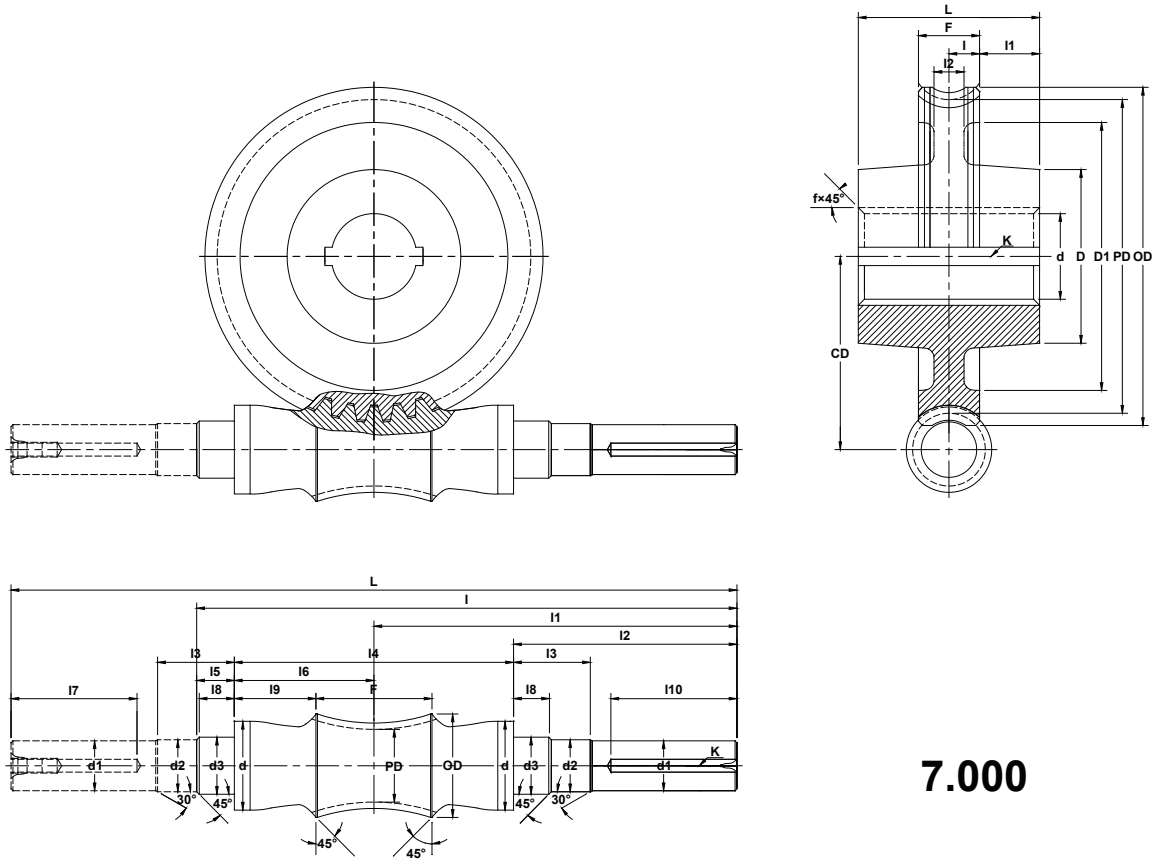




Double Enveloping Worms and Worm Gears

Center Distance: 7.000



7.000

Worm	L	I	F	d	d1 ^{+0.000} _{-0.001}	d2±0.002	d3 ^{+0.000} _{-0.001}	I1	I2	I3	I4±0.002	I5	I6	I7	I8	I9	I10	K
	29.00	20.75	3.88	3.812	1.875	2.125	2.7525	14.50	10.000	2.82	9.000	1.750	4.500	4.50	1.69	2.56	4.50	1/2×1/4

Worm Gear	L±0.005	I	F	d ^{+0.000} _{-0.001}	D	D1	I1	I2	K	f
	5.000	0.875	1.750	4.000	6.12	9.62	1.625	1.00	7/8×7/16	0.06

Worm Gear Set		Worm			Worm Gear		
CD	Ratio	THC Gear #	PD	OD	THC Gear #	PD	OD
7.000	5:1	TPW7-5R	3.020	4.000	TPWG7-5R	10.980	11.600
7.000	10:1	TPW7-10R	2.670	3.687	TPWG7-10R	11.330	11.930
7.000	15:1	TPW7-15R	2.730	3.687	TPWG7-15R	11.270	11.810
7.000	20:1	TPW7-20R	2.670	3.687	TPWG7-20R	11.330	11.930
7.000	25:1	TPW7-25R	2.750	3.687	TPWG7-25R	11.250	11.810
7.000	30:1	TPW7-30R	2.810	3.687	TPWG7-30R	11.190	11.700
7.000	40:1	TPW7-40R	2.670	3.687	TPWG7-40R	11.330	11.930
7.000	50:1	TPW7-50R	2.750	3.687	TPWG7-50R	11.250	11.810
7.000	60:1	TPW7-60R	2.810	3.687	TPWG7-60R	11.190	11.700
7.000	70:1	TPW7-70R	2.850	3.687	TPWG7-70R	11.150	11.600

Note:
 1 All dimensions are in inches.
 2 Dimensions and other engineering data are subject to change. Certified specifications are available on request.