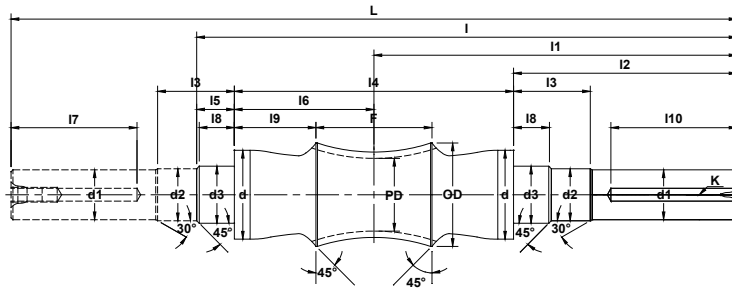
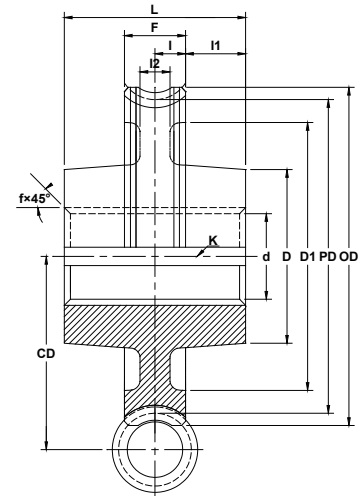
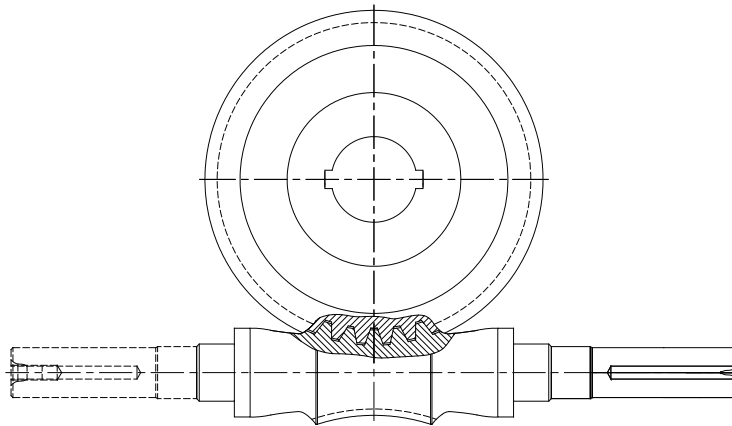




# Double Enveloping Worms and Worm Gears

## Center Distance: 5.000



**5.000**

Worm	L	I	F	d	d1 <sup>+0.000/-0.001</sup>	d2±0.002	d3 <sup>+0.000/-0.001</sup>	I1	I2	I3	I4±0.002	I5	I6	I7	I8	I9	I10	K
	21.00	15.79	3.25	2.75	1.500	1.5625	1.7520	10.50	6.250	2.25	8.500	1.042	4.250	3.25	0.97	2.62	3.25	3/8×3/16

Worm Gear	L±0.002	I	F	d <sup>+0.000/-0.001</sup>	D	D1	I1	I2	K	f
	4.250	0.6875	1.375	3.125	4.50	6.88	1.4375	0.75	5/8×5/16	0.06

Worm Gear Set		Worm			Worm Gear		
CD	Ratio	THC Gear #	PD	OD	THC Gear #	PD	OD
5.000	5:1	TPW5-5R	2.160	3.000	TPWG5-5R	7.840	8.280
5.000	10:1	TPW5-10R	1.910	2.850	TPWG5-10R	8.090	8.560
5.000	15:1	TPW5-15R	1.910	2.850	TPWG5-15R	8.090	8.560
5.000	20:1	TPW5-20R	1.980	2.850	TPWG5-20R	8.020	8.420
5.000	25:1	TPW5-25R	2.050	2.850	TPWG5-25R	7.950	8.280
5.000	30:1	TPW5-30R	1.910	2.850	TPWG5-30R	8.090	8.560
5.000	40:1	TPW5-40R	1.980	2.850	TPWG5-40R	8.020	8.420
5.000	50:1	TPW5-50R	2.050	2.850	TPWG5-50R	7.950	8.280
5.000	60:1	TPW5-60R	2.080	2.850	TPWG5-60R	7.920	8.280
5.000	70:1	TPW5-70R	2.090	2.720	TPWG5-70R	7.910	8.280

Note:  
 1 All dimensions are in inches.  
 2 Dimensions and other engineering data are subject to change. Certified specifications are available on request.