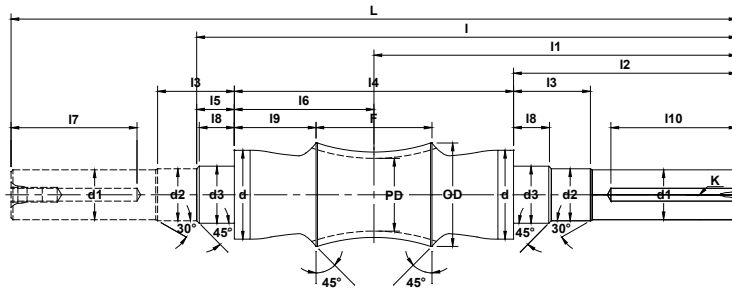
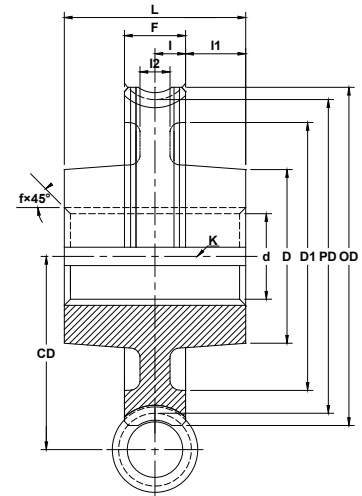
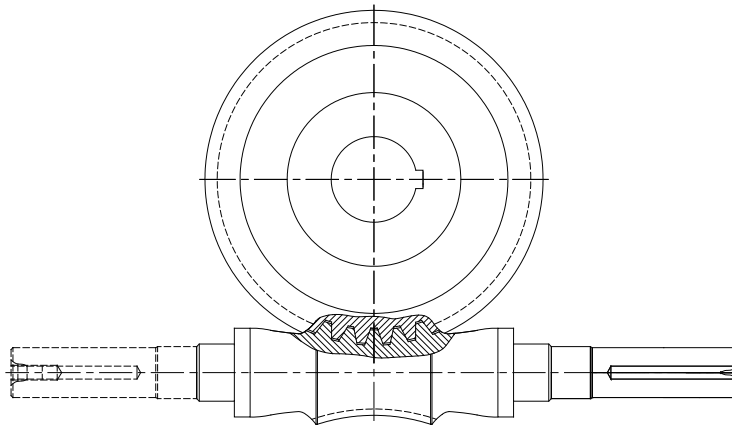




Double Enveloping Worms and Worm Gears

Center Distance: 3.500



3.500

Worm	L	I	F	d	d1 ^{+0.000} _{-0.001}	d2±0.002	d3 ^{+0.000} _{-0.001}	I1	I2	I3	I4±0.001	I5	I6	I7	I8	I9	I10	K
	15.50	11.41	2.38	1.84	1.1875	1.250	1.3145	7.75	5.000	1.96	5.500	0.912	2.750	2.62	0.88	1.56	2.62	1/4×1/8

Worm Gear	L±0.001	I	F	d ^{+0.000} _{-0.001}	D	D1	I1	I2	K	f
	3.125	0.500	1.000	2.1875	3.25	4.62	1.062	0.50	1/2×1/4	0.03

Worm Gear Set		Worm			Worm Gear		
CD	Ratio	THC Gear #	PD	OD	THC Gear #	PD	OD
3.500	5:1	TPW3.5-5R	1.520	2.130	TPWG3.5-5R	5.480	5.800
3.500	10:1	TPW3.5-10R	1.370	2.040	TPWG3.5-10R	5.630	5.980
3.500	15:1	TPW3.5-15R	1.370	2.040	TPWG3.5-15R	5.630	5.980
3.500	20:1	TPW3.5-20R	1.430	2.040	TPWG3.5-20R	5.570	5.900
3.500	25:1	TPW3.5-25R	1.470	2.040	TPWG3.5-25R	5.530	5.800
3.500	30:1	TPW3.5-30R	1.370	2.040	TPWG3.5-30R	5.630	5.980
3.500	40:1	TPW3.5-40R	1.430	2.040	TPWG3.5-40R	5.570	5.900
3.500	50:1	TPW3.5-50R	1.470	2.040	TPWG3.5-50R	5.530	5.800
3.500	60:1	TPW3.5-60R	1.500	2.040	TPWG3.5-60R	5.500	5.760

Note:
 1 All dimensions are in inches.
 2 Dimensions and other engineering data are subject to change. Certified specifications are available on request.