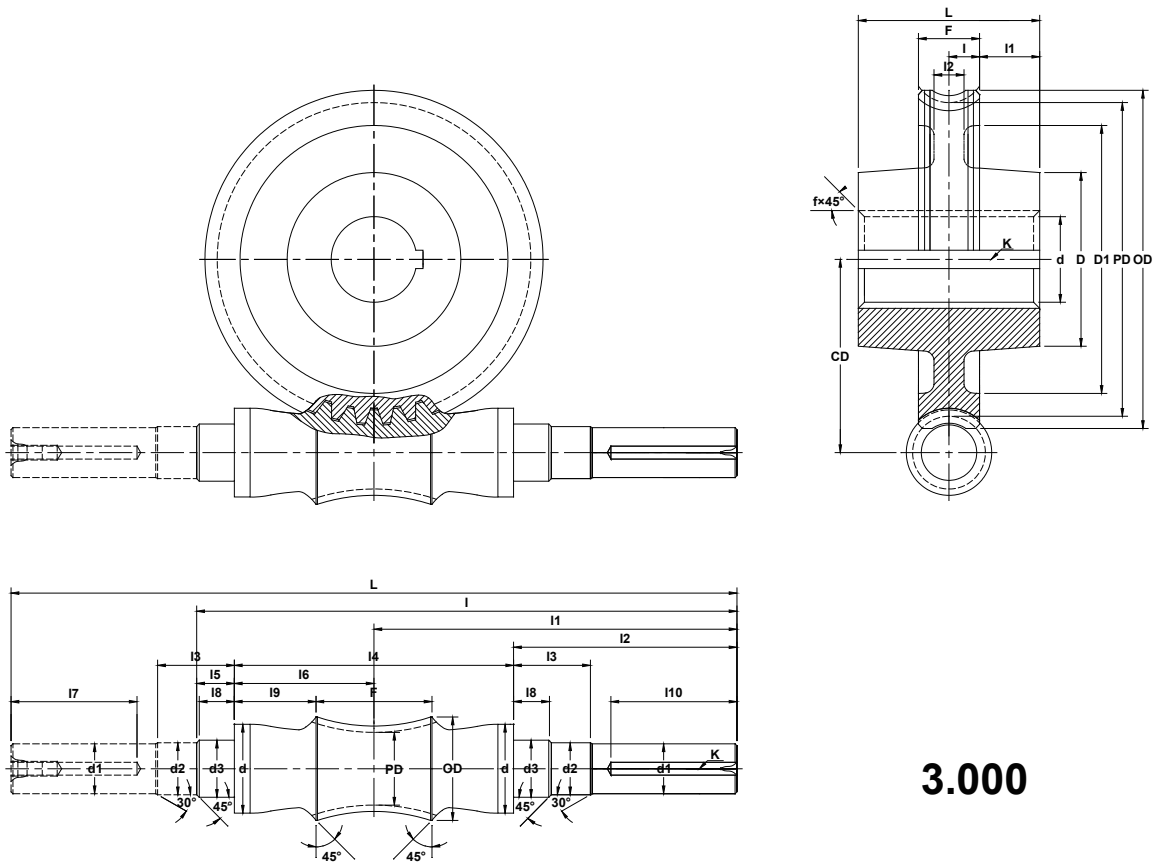




Double Enveloping Worms and Worm Gears

Center Distance: 3.000



3.000

Worm	L	I	F	d	d1 ^{+0.000} _{-0.001}	d2±0.002	d3 ^{+0.000} _{-0.001}	I1	I2	I3	I4±0.001	I5	I6	I7	I8	I9	I10	K
	13.38	10.03	2.00	1.56	1.000	1.062	1.1270	6.68	4.281	2.09	4.812	0.932	2.406	1.75	0.90	1.40	1.75	1/4×1/8

Worm Gear	L±0.001	I	F	d ^{+0.000} _{-0.001}	D	D1	I1	I2	K	f
	2.625	0.4375	0.875	1.6245	2.62	4.00	0.875	0.50	3/8×3/16	0.03

Worm Gear Set		Worm			Worm Gear		
CD	Ratio	THC Gear #	PD	OD	THC Gear #	PD	OD
3.000	5:1	TPW3-5R	1.300	1.810	TPWG3-5R	4.700	4.990
3.000	10:1	TPW3-10R	1.150	1.700	TPWG3-10R	4.850	5.150
3.000	15:1	TPW3-15R	1.150	1.700	TPWG3-15R	4.850	5.150
3.000	20:1	TPW3-20R	1.200	1.700	TPWG3-20R	4.800	5.050
3.000	25:1	TPW3-25R	1.230	1.700	TPWG3-25R	4.770	4.990
3.000	30:1	TPW3-30R	1.150	1.700	TPWG3-30R	4.850	5.150
3.000	40:1	TPW3-40R	1.200	1.700	TPWG3-40R	4.800	5.050
3.000	50:1	TPW3-50R	1.230	1.700	TPWG3-50R	4.770	4.990
3.000	60:1	TPW3-60R	1.270	1.640	TPWG3-60R	4.730	4.940

Note:
 1 All dimensions are in inches.
 2 Dimensions and other engineering data are subject to change. Certified specifications are available on request.