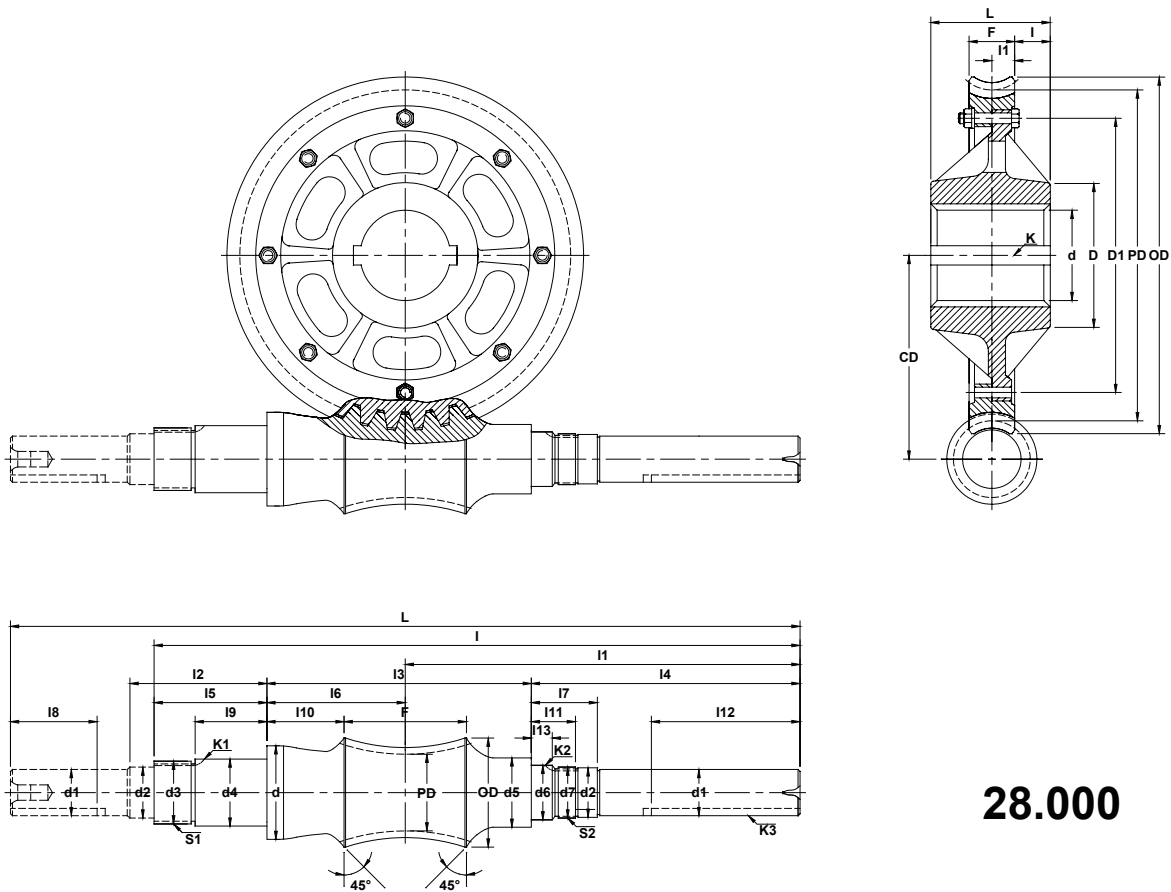




Double Enveloping Worms and Worm Gears

Center Distance: 28.000



28.000

| Worm | L | I | F | d | d1 ^{+0.000} _{-0.001} | d2±0.002 | d3 ^{+0.000} _{-0.015} | d4 ^{+0.000} _{-0.001} | d5 | d6 ^{+0.000} _{-0.001} | d7 ^{+0.000} _{-0.015} | I1 | I2 | I3 | I4 |
|------|-------|-------|-------|-------|--|----------|--|--|------|--|--|-------|-------|--------|-------|
| | 94.00 | 76.88 | 18.00 | 10.25 | 6.000 | 6.250 | 7.847 | 8.0025 | 8.25 | 7.0025 | 6.659 | 46.00 | 18.25 | 33.375 | 30.00 |
| | 15 | 16 | 17 | 18 | 19 | 110 | 111 | 112 | 113 | K1 | K2 | K3 | S1 | S2 | - |

| Worm Gear | L | I | F | d | D | D1(i=5:1) | D1(i>5:1) | I1 | K | No. of Bolts | Size of Bolts |
|-----------|--------|-------|-------|--------|-------|-----------|-----------|-------|-------|--------------|---------------|
| | 17.000 | 5.500 | 6.000 | 13.250 | 20.00 | 38.250 | - | 3.000 | 3"×1" | 18 | 1.500 |

| Worm Gear Set | | Worm | | | Worm Gear | | |
|---------------|-------|------------|-------|-------|------------|--------|--------|
| CD | Ratio | THC Gear # | PD | OD | THC Gear # | PD | OD |
| 28.000 | 10:1 | TPW18-10R | 5.700 | 8.437 | TPWG18-10R | 30.300 | 31.600 |
| 28.000 | 15:1 | TPW18-15R | 5.800 | 8.437 | TPWG18-15R | 30.200 | 31.400 |
| 28.000 | 20:1 | TPW18-20R | 5.800 | 8.437 | TPWG18-20R | 30.200 | 31.400 |
| 28.000 | 30:1 | TPW18-30R | 5.800 | 8.437 | TPWG18-30R | 30.200 | 31.400 |
| 28.000 | 50:1 | TPW18-50R | 5.700 | 8.437 | TPWG18-50R | 30.300 | 31.600 |

Note:
 1 All dimensions are in inches.
 2 Dimensions and other engineering data are subject to change. Certified specifications are available on request.