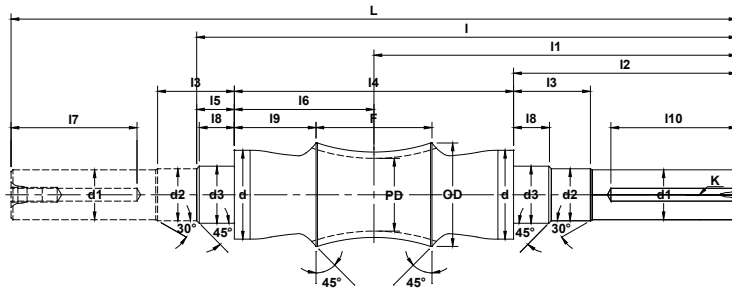
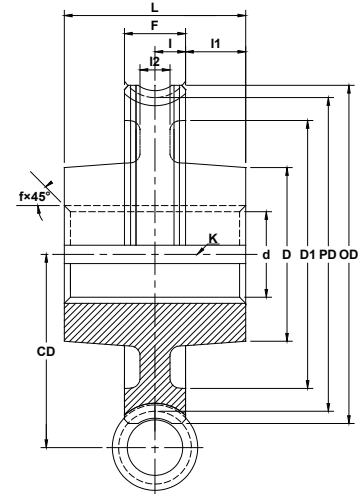
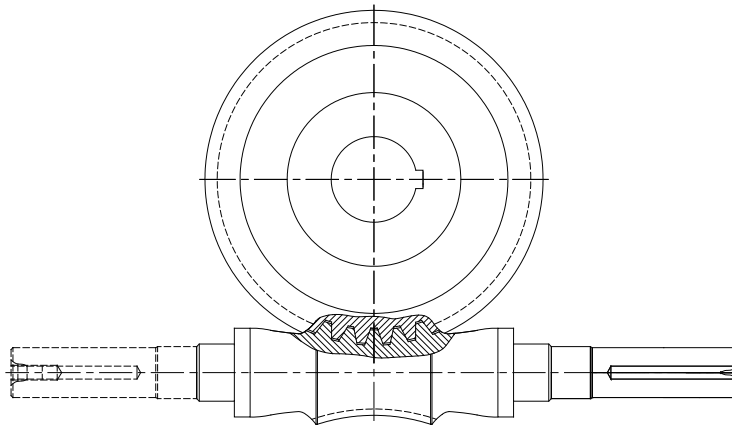




Double Enveloping Worms and Worm Gears

Center Distance: 2.500



2.500

Worm	L	I	F	d	d1 ^{+0.000/-0.001}	d2±0.002	d3 ^{+0.000/-0.001}	I1	I2	I3	I4±0.001	I5	I6	I7	I8	I9	I10	K
	10.50	8.16	1.62	1.38	0.750	.875	0.9395	5.25	3.156	1.72	4.187	0.812	2.093	1.00	0.78	1.28	1.00	3/16×3/32

Worm Gear	L±0.001	I	F	d ^{+0.000/-0.001}	D	D1	I1	I2	K	f
	1.750	0.375	0.750	1.2495	2.00		0.500		1/4×1/8	0.03

Worm Gear Set		Worm			Worm Gear		
CD	Ratio	THC Gear #	PD	OD	THC Gear #	PD	OD
2.500	5:1	TPW2.5-5R	1.070	1.500	TPWG2.5-5R	3.930	4.170
2.500	10:1	TPW2.5-10R	1.020	1.500	TPWG2.5-10R	3.980	4.230
2.500	15:1	TPW2.5-15R	1.020	1.500	TPWG2.5-15R	3.980	4.230
2.500	20:1	TPW2.5-20R	1.070	1.500	TPWG2.5-20R	3.930	4.170
2.500	25:1	TPW2.5-25R	1.000	1.500	TPWG2.5-25R	4.000	4.270
2.500	30:1	TPW2.5-30R	1.020	1.500	TPWG2.5-30R	3.980	4.230
2.500	40:1	TPW2.5-40R	1.070	1.500	TPWG2.5-40R	3.930	4.170
2.500	50:1	TPW2.5-50R	1.110	1.500	TPWG2.5-50R	3.890	4.080
2.500	60:1	TPW2.5-60R	1.120	1.500	TPWG2.5-60R	3.880	4.080

Note:
 1 All dimensions are in inches.
 2 Dimensions and other engineering data are subject to change. Certified specifications are available on request.