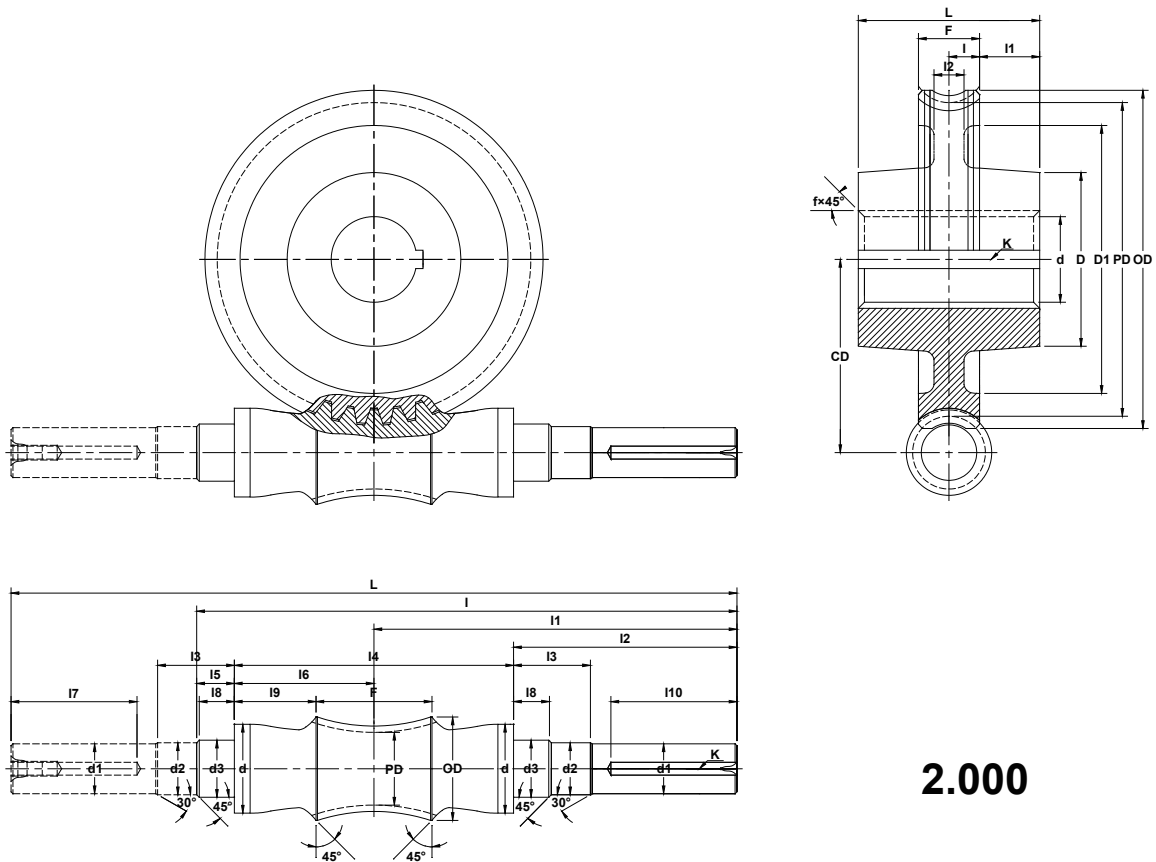




Double Enveloping Worms and Worm Gears

Center Distance: 2.000



2.000

Worm	L	I	F	d	d1 ^{+0.000} _{-0.001}	d2±0.002	d3 ^{+0.000} _{-0.001}	I1	I2	I3	I4±0.001	I5	I6	I7	I8	I9	I10	K
	9.18	6.84	1.25	1.15	0.6875	.747	0.7520	4.59	3.187	1.72	2.812	0.846	1.406	1.06	0.83	0.78	1.06	3/16×3/32

Worm Gear	L±0.001	I	F	d ^{+0.000} _{-0.001}	D	D1	I1	I2	K	f
	1.750	0.281	0.5625	1.2495	1.75		0.594		1/4×1/8	0.03

Worm Gear Set		Worm			Worm Gear		
CD	Ratio	THC Gear #	PD	OD	THC Gear #	PD	OD
2.000	5:1	TPW2-5R	0.830	1.156	TPWG2-5R	3.170	3.350
2.000	10:1	TPW2-10R	0.800	1.156	TPWG2-10R	3.200	3.380
2.000	15:1	TPW2-15R	0.800	1.156	TPWG2-15R	3.200	3.380
2.000	20:1	TPW2-20R	0.830	1.156	TPWG2-20R	3.170	3.350
2.000	25:1	TPW2-25R	0.780	1.156	TPWG2-25R	3.220	3.420
2.000	30:1	TPW2-30R	0.800	1.156	TPWG2-30R	3.200	3.380
2.000	40:1	TPW2-40R	0.830	1.156	TPWG2-40R	3.170	3.350
2.000	50:1	TPW2-50R	0.850	1.156	TPWG2-50R	3.150	3.320
2.000	60:1	TPW2-60R	0.866	1.110	TPWG2-60R	3.134	3.280

Note:
 1 All dimensions are in inches.
 2 Dimensions and other engineering data are subject to change. Certified specifications are available on request.