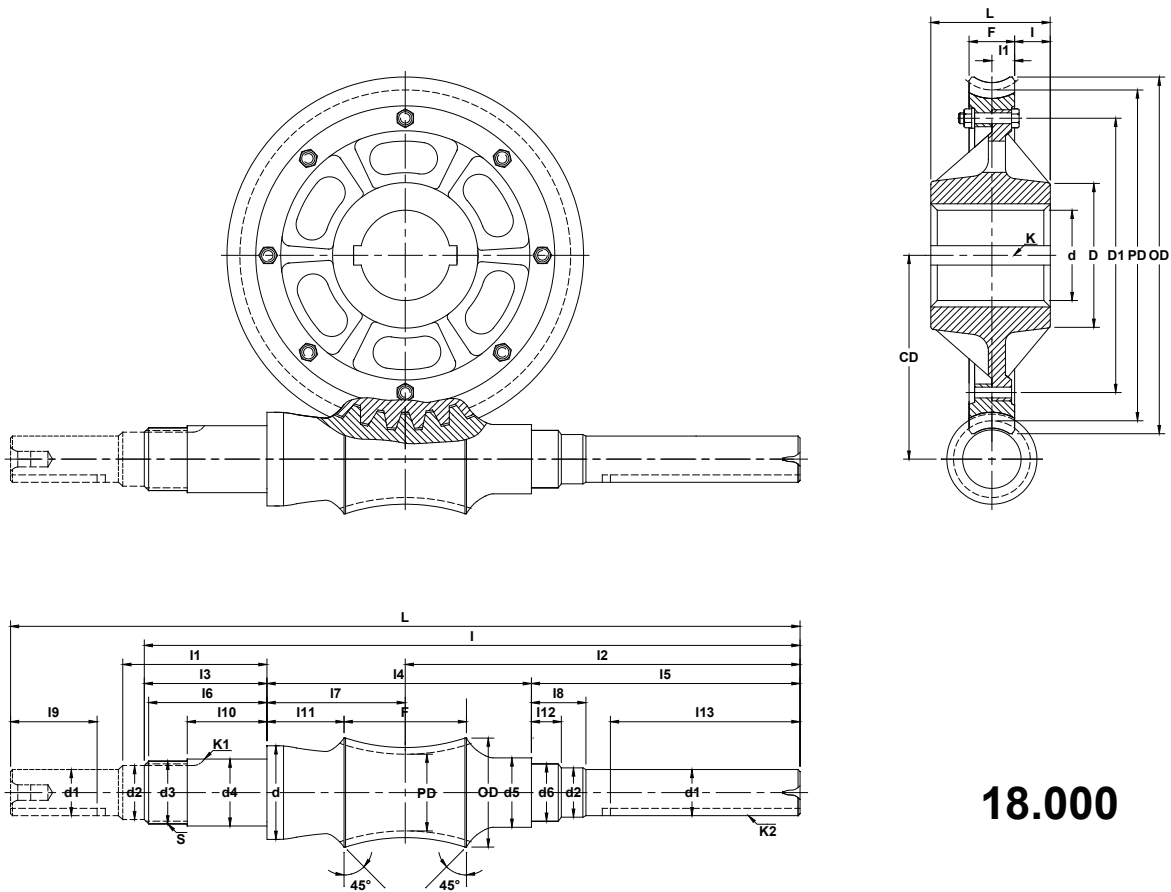




Double Enveloping Worms and Worm Gears

Center Distance: 18.000



18.000

Worm	L	I	F	d	d1 ^{+0.000} _{-0.001}	d2±0.002	d3 ^{+0.000} _{-0.011}	d4 ^{+0.000} _{-0.001}	d5	d6 ^{+0.000} _{-0.0008}	I1	I2	I3
	61.62	50.38	11.25	7.00	4.000	-	4.716	5.0025	4.75	4.1349	-	30.12	9.88
	I4	I5	I6	I7	I8	I9	I10	I11	I12	I13	K1	K2	S

Worm Gear	L	I	F	d	D	D1(i=5:1)	D1(i>5:1)	I1	K	No. of Bolts	Size of Bolts
		10.500	3.250	4.000	8.125	11.88	24.000	22.000	2.000	1-3/4×5/8	12

Worm Gear Set		Worm			Worm Gear		
CD	Ratio	THC Gear #	PD	OD	THC Gear #	PD	OD
18.000	5:1	TPW18-5R	7.750	10.400	TPWG18-5R	28.250	29.375
18.000	8:1	TPW18-8R	5.700	8.437	TPWG18-8R	30.300	31.600
18.000	10:1	TPW18-10R	5.700	8.437	TPWG18-10R	30.300	31.600
18.000	15:1	TPW18-15R	5.800	8.437	TPWG18-15R	30.200	31.400
18.000	20:1	TPW18-20R	5.800	8.437	TPWG18-20R	30.200	31.400
18.000	25:1	TPW18-25R	5.700	8.437	TPWG18-25R	30.300	31.600
18.000	30:1	TPW18-30R	5.800	8.437	TPWG18-30R	30.200	31.400
18.000	40:1	TPW18-40R	5.800	8.437	TPWG18-40R	30.400	31.800
18.000	50:1	TPW18-50R	5.700	8.437	TPWG18-50R	30.300	31.600
18.000	60:1	TPW18-60R	5.800	8.437	TPWG18-60R	30.200	31.400

Note:
 1 All dimensions are in inches.
 2 Dimensions and other engineering data are subject to change. Certified specifications are available on request.