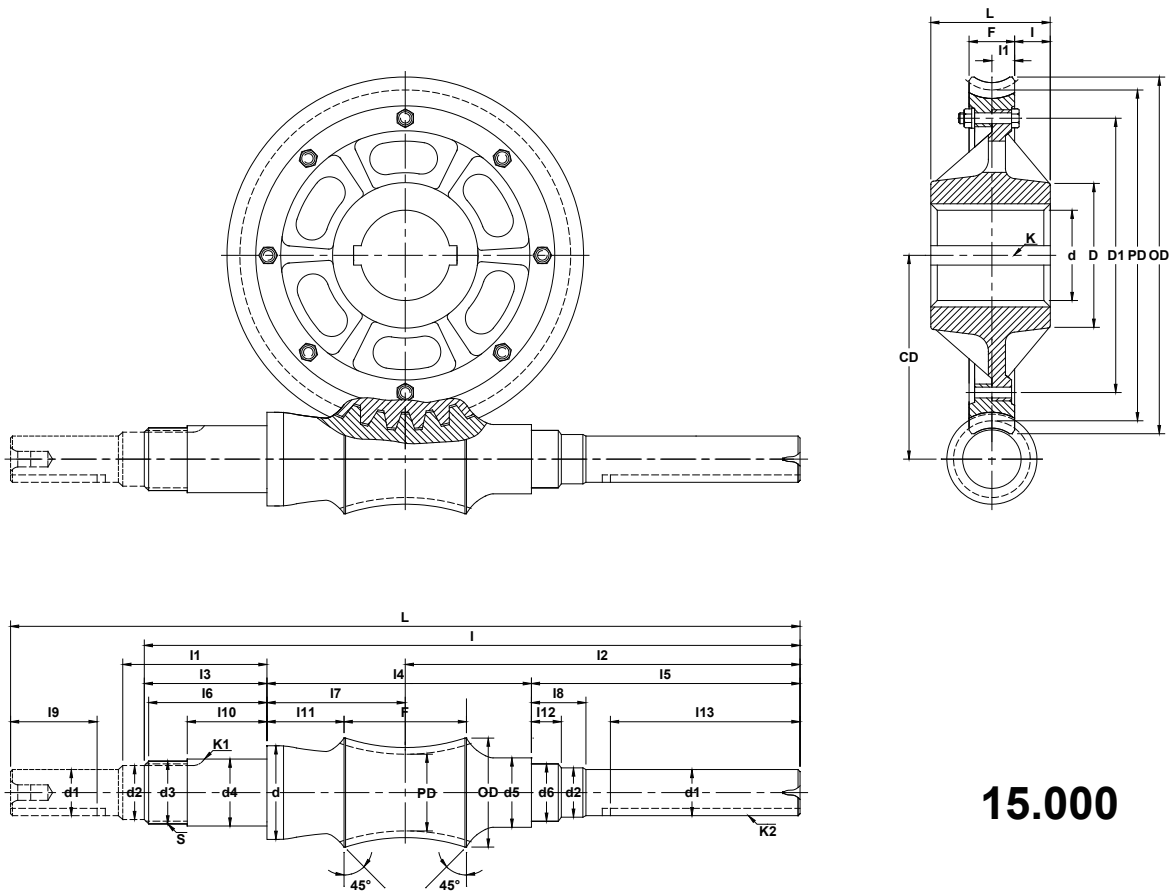




Double Enveloping Worms and Worm Gears

Center Distance: 15.000



15.000

Worm	L	I	F	d	d1 ^{+0.000} _{-0.001}	d2±0.002	d3 ^{+0.000} _{-0.011}	d4 ^{+0.000} _{-0.001}	d5	d6 ^{+0.000} _{-0.0008}	I1	I2	I3
	54.12	45.38	9.25	6.50	3.500	-	4.325	4.5025	4.00	3.5443	-	26.25	9.37
	I4	I5	I6	I7	I8	I9	I10	I11	I12	I13	K1	K2	S
	19.500	16.50	9.37	9.750	-	5.50	7.12	5.12	2.00	8.50	3/8×3/16	7/8×7/16	12THD

Worm Gear	L	I	F	d	D	D1(i=5:1)	D1(i>5:1)	I1	K	No. of Bolts	Size of Bolts
	9.000	2.625	3.750	7.125	10.38	19.250	18.500	1.875	1-1/2×1/2	12	0.750

Worm Gear Set		Worm			Worm Gear		
CD	Ratio	THC Gear #	PD	OD	THC Gear #	PD	OD
15.000	5:1	TPW15-5R	6.400	8.625	TPWG15-5R	23.600	24.750
15.000	10:1	TPW15-10R	5.100	7.320	TPWG15-10R	24.900	26.100
15.000	15:1	TPW15-15R	5.200	7.320	TPWG15-15R	24.800	25.900
15.000	20:1	TPW15-20R	5.200	7.320	TPWG15-20R	24.800	25.900
15.000	25:1	TPW15-25R	5.100	7.320	TPWG15-25R	24.900	26.100
15.000	30:1	TPW15-30R	5.200	7.320	TPWG15-30R	24.800	25.900
15.000	40:1	TPW15-40R	5.000	7.320	TPWG15-40R	25.000	26.300
15.000	50:1	TPW15-50R	5.100	7.320	TPWG15-50R	24.900	26.100
15.000	60:1	TPW15-60R	5.200	7.320	TPWG15-60R	24.800	25.900

Note:
 1 All dimensions are in inches.
 2 Dimensions and other engineering data are subject to change. Certified specifications are available on request.