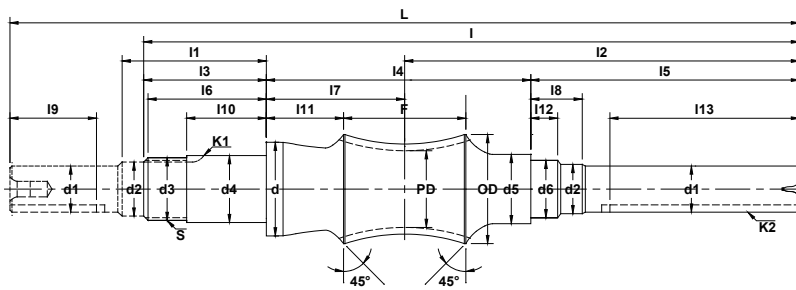
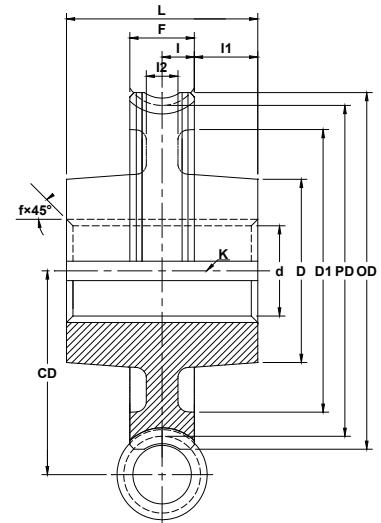
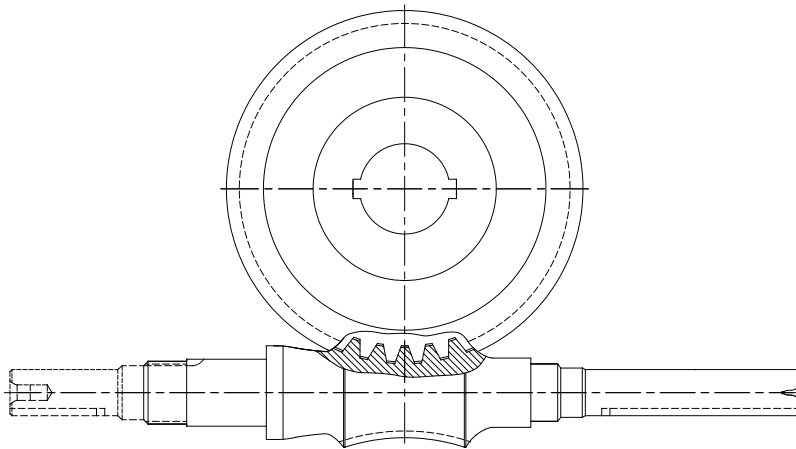




# Double Enveloping Worms and Worm Gears

## Center Distance: 12.000



**12.000**

Worm	L	I	F	d	d1 <sup>+0.000</sup> <sub>-0.001</sub>	d2±0.002	d3 <sup>+0.000</sup> <sub>-0.011</sub>	d4 <sup>+0.000</sup> <sub>-0.001</sub>	d5	d6 <sup>+0.000</sup> <sub>-0.0008</sub>	I1	I2	I3
	45.75	38.62	7.50	5.75	3.000	3.125	3.918	4.0025	4.00	3.3475	9.68	22.50	8.50
	I4	I5	I6	I7	I8	I9	I10	I11	I12	I13	K1	K2	S
	14.812	15.31	8.50	7.625	3.12	4.50	6.25	3.88	1.81	5.88	3/4×7/32	3/4×3/8	12THD

Worm Gear	L±0.005	I	F	d <sup>+0.000</sup> <sub>-0.001</sub>	D	D1	I1	I2	K	f
	6.750	1.625	3.250	6.125	9.00	17.25	1.750	1.75	1-1/4×7/16	0.06

Worm Gear Set		Worm			Worm Gear		
CD	Ratio	THC Gear #	PD	OD	THC Gear #	PD	OD
12.000	5:1	TPW12-5R	5.180	6.750	TPWG12-5R	18.820	19.750
12.000	10:1	TPW12-10R	4.300	6.187	TPWG12-10R	19.700	20.600
12.000	15:1	TPW12-15R	4.300	6.187	TPWG12-15R	19.700	20.600
12.000	20:1	TPW12-20R	4.160	6.187	TPWG12-20R	19.840	20.880
12.000	25:1	TPW12-25R	4.300	6.187	TPWG12-25R	19.700	20.600
12.000	30:1	TPW12-30R	4.390	6.187	TPWG12-30R	19.610	20.420
12.000	40:1	TPW12-40R	4.160	6.187	TPWG12-40R	19.840	20.880
12.000	50:1	TPW12-50R	4.300	6.187	TPWG12-50R	19.700	20.600
12.000	60:1	TPW12-60R	4.360	6.187	TPWG12-60R	19.640	20.420
12.000	70:1	TPW12-70R	4.410	6.000	TPWG12-70R	19.590	20.420

Note:  
 1 All dimensions are in inches.  
 2 Dimensions and other engineering data are subject to change. Certified specifications are available on request.