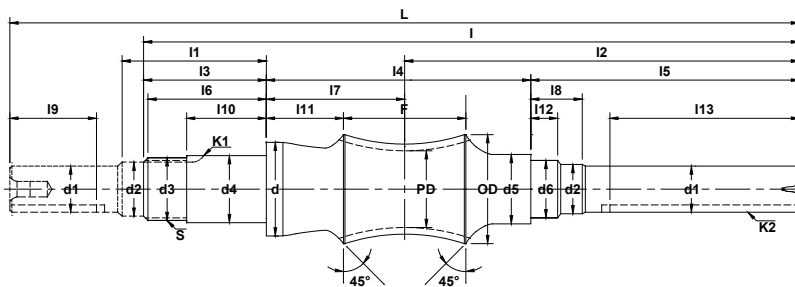
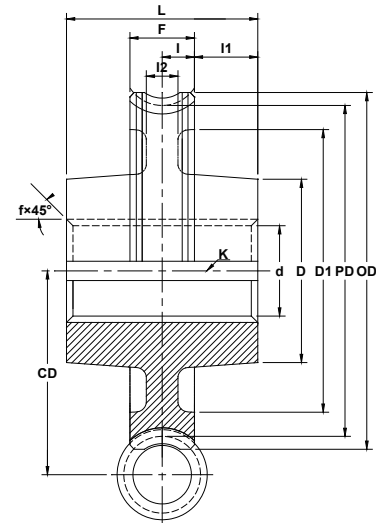
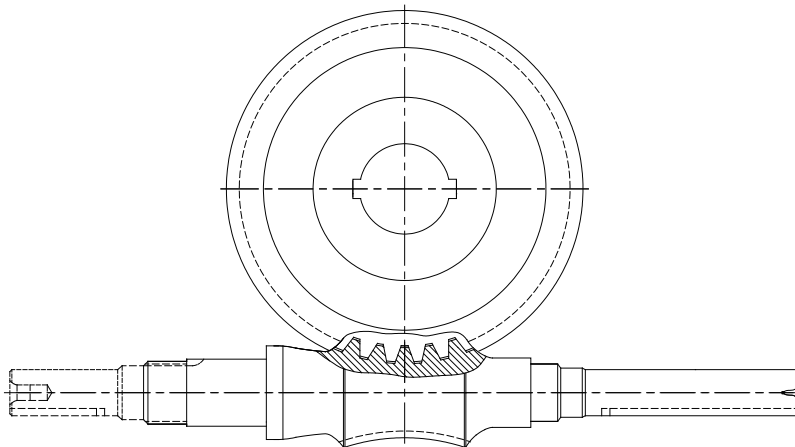




Double Enveloping Worms and Worm Gears

Center Distance: 10.000



10.000

Worm	L	I	F	d	d1 ^{+0.000} _{-0.001}	d2±0.002	d3 ^{+0.000} _{-0.011}	d4 ^{+0.000} _{-0.001}	d5	d6 ^{+0.000} _{-0.0006}	I1	I2	I3
	38.50	32.12	6.12	4.62	2.375	2.437	3.340	3.349	3.50	2.9536	7.31	19.25	6.25
	I4	I5	I6	I7	I8	I9	I10	I11	I12	I13	K1	K2	S
	12.875	13.00	6.25	6.625	2.59	4.25	4.38	3.56	1.53	5.00	5/8×3/16	5/8×8/16	12THD

Worm Gear	L±0.005	I	F	d ^{+0.000} _{-0.001}	D	D1	I1	I2	K	f
	6.000	1.375	2.750	4.250	6.25	14.38	1.625	1.50	1×3/8	0.06

Worm Gear Set		Worm			Worm Gear		
CD	Ratio	THC Gear #	PD	OD	THC Gear #	PD	OD
10.000	5:1	TPW10-5R	4.300	5.600	TPWG10-5R	15.700	16.500
10.000	10:1	TPW10-10R	3.600	5.062	TPWG10-10R	16.400	17.250
10.000	15:1	TPW10-15R	3.600	5.062	TPWG10-15R	16.400	17.250
10.000	20:1	TPW10-20R	3.550	5.062	TPWG10-20R	16.450	17.350
10.000	25:1	TPW10-25R	3.600	5.062	TPWG10-25R	16.400	17.250
10.000	30:1	TPW10-30R	3.700	5.062	TPWG10-30R	16.300	17.050
10.000	40:1	TPW10-40R	3.550	5.062	TPWG10-40R	16.450	17.250
10.000	50:1	TPW10-50R	3.600	5.062	TPWG10-50R	16.400	17.250
10.000	60:1	TPW10-60R	3.670	5.062	TPWG10-60R	16.330	17.050
10.000	70:1	TPW10-70R	3.720	5.000	TPWG10-70R	16.280	17.050

Note:
 1 All dimensions are in inches.
 2 Dimensions and other engineering data are subject to change. Certified specifications are available on request.