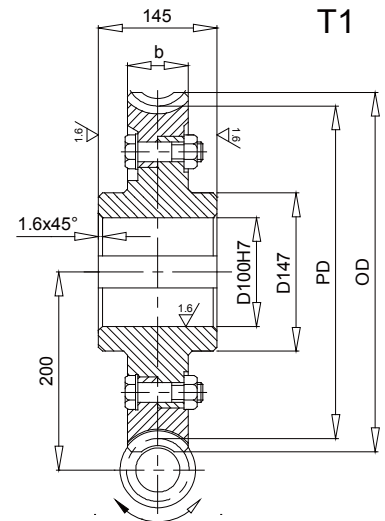
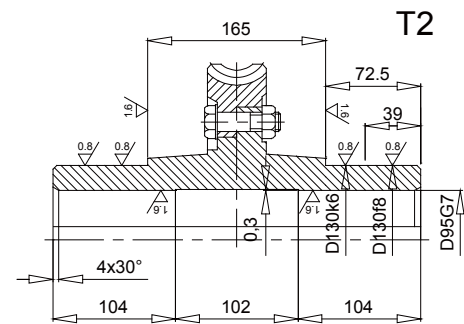


200



T1



T2

Ratio	Worms							Worm Gears						
	THC Gear #	Module	No. of Stars	OD	d	b	Weight (kg)	THC Gear #	No. of Teeth	PD	OD	b	Weight T1(kg)	Weight T2(kg)
10	STPW7.85-4RNG	7.85	4	106.33	80	101	15.8	BTPWG7.85-40R	40	314	334	60	33.0	41.8
12.5	STPW6.3-4RNG	6.30	4	104.55	80	100	15.0	BTPWG6.3-50R	50	315	330	65	32.7	41.5
16	STPW6.77-3RNG	6.77	3	96.44	80	107	15.3	BTPWG6.77-48R	48	325	342	55	33.4	42.2
20	STPW8.13-2RNG	8.13	2	97.38	80	106	15.2	BTPWG8.13-40R	40	325	345	52	33.0	41.8
25	STPW6.5-2RNG	6.50	2	95.53	80	105	15.0	BTPWG6.5-50R	50	325	341	55	32.5	41.3
31.5	STPW5.16-2RNG	5.16	2	93.10	80	100	15.7	BTPWG5.16-63R	63	325	338	58	33.2	42.0
40	STPW8.25-1RNG	8.25	1	92.42	80	106	15.3	BTPWG8.25-40R	40	330	350	55	32.8	41.6
50	STPW6.6-1RNG	6.60	1	90.52	80	105	15.1	BTPWG6.6-50R	50	330	346	50	32.6	41.4
63	STPW5.32-1RNG	5.32	1	83.52	80	102	14.6	BTPWG5.32-63R	63	335	348	48	33.4	41.2

Note:
 1 All dimensions are in mm.
 2 Dimensions and other engineering data are subject to change. Certified specifications are available on request.



Specifications			
Item	Worm	Worm Gear	Worm Gear Hub
Hand of Helix	Right	Right	-
Material	42CrMo or 38CrMoAl	ZCuSn10Pb1	C45
Heat Treatment	Quenching and Tempering	-	Quenching and tempering
Tooth Surface Treatment	Nitriding	-	-
Tooth Surface Finish	Ground	Cut	-
Tooth Hardness	HRC55-60	HBW885	HB240-270
Precision Grade	GB 7	GB 7	-

Rated Power and Torques of Worms and Worm Sets

Ratio	n ₁	n ₂	P _{1N}	T _{2N}	η
	rpm	rpm	KW	N.m	%
10	1500	150	61.2	3624	93
	1000	100	56.6	5027	93
	750	75	47.6	5576	92
	500	50	38.3	6584	90
12.5	1500	120	53.7	3953	92.5
	1000	80	48	5300	92.5
	750	60	39.4	5738	91.5
	500	40	30.1	6396	89
16	1500	94	45.5	4218	91
	1000	63	41.2	5729	91
	750	47	33.3	6106	90
	500	31	25.8	6859	87
20	1500	75	38.3	4365	89.5
	1000	50	32.9	5624	89.5
	750	38	27.2	6165	89
	500	25	21.1	6851	85
25	1500	60	31.5	4412	88
	1000	40	26.9	5652	88
	750	30	22.9	6269	86
	500	20	17.2	6694	81.5
31.5	1500	48	25.4	4429	83
	1000	32	22.2	5807	83
	750	24	16.5	5685	82
	500	16	14.3	6940	77
40	1500	38	20.8	4185	79
	1000	25	17.2	5191	79
	750	19	15	5959	78
	500	13	11.1	6275	74
50	1500	30	16.8	4064	76
	1000	20	14.7	5335	76
	750	15	12.2	5826	75
	500	10	9.31	6313	71
63	1500	24	13.6	3982	73
	1000	16	12.2	5358	73
	750	12	11.1	6411	72
	500	8	7.52	6153	68

Note:
 1 All dimensions are in mm.
 2 Dimensions and other engineering data are subject to change. Certified specifications are available on request.