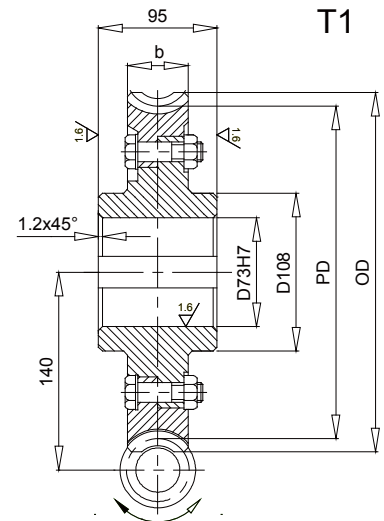
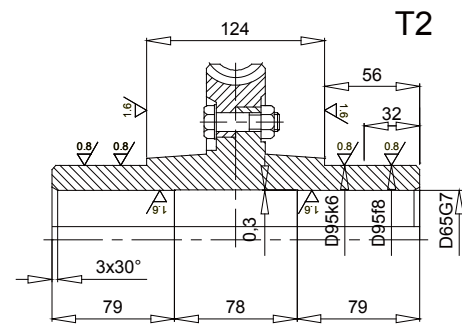


140



T1



T2

Ratio	Worms							Worm Gears						
	THC Gear #	Module	No. of Stars	OD	d	b	Weight (kg)	THC Gear #	No. of Teeth	PD	OD	b	Weight T1(kg)	Weight T2(kg)
10.25	STPW5.24-4RNG	5.24	4	78.70	60	68	5.7	BTPWG5.24-41R	41	215	228	45	12.2	17.4
13.33	STPW5.45-3RNG	5.45	3	76.38	60	70	5.7	BTPWG5.45-40R	40	218	232	45	12.0	17.2
16.5	STPW6.67-2RNG	6.67	2	76.54	60	75	6.0	BTPWG6.67-33R	33	220	236	42	12.2	17.4
20.5	STPW5.41-2RNG	5.41	2	72.22	60	70	5.8	BTPWG5.41-41R	41	222	235	42	12.1	17.3
25.5	STPW4.41-2RNG	4.41	2	68.16	60	70	5.7	BTPWG4.41-51R	51	225	236	42	11.9	17.1
32	STPW7.03-1RNG	7.03	1	73.00	60	80	6.0	BTPWG7.03-32R	32	225	239	38	12.2	17.4
40	STPW5.6-1RNG	5.60	1	71.46	60	73	5.8	BTPWG5.6-40R	40	224	238	42	12.1	17.3
50	STPW4.6-1RNG	4.60	1	63.99	60	74	5.7	BTPWG4.6-50R	50	230	242	38	11.9	17.1
64	STPW3.59-1RNG	3.59	1	62.79	60	73	5.2	BTPWG3.59-64R	64	230	239	38	12.3	17.5

Note:
 1 All dimensions are in mm.
 2 Dimensions and other engineering data are subject to change. Certified specifications are available on request.



Specifications			
Item	Worm	Worm Gear	Worm Gear Hub
Hand of Helix	Right	Right	-
Material	42CrMo or 38CrMoAl	ZCuSn10Pb1	C45
Heat Treatment	Quenching and Tempering	-	Quenching and tempering
Tooth Surface Treatment	Nitriding	-	-
Tooth Surface Finish	Ground	Cut	-
Tooth Hardness	HRC55-60	HBW885	HB240-270
Precision Grade	GB 7	GB 7	-

Rated Power and Torques of Worms and Worm Sets

Ratio	n ₁	n ₂	P _{1N}	T _{2N}	η
	rpm	rpm	KW	N.m	%
10.25	1500	146	25.9	1555	92
	1000	98	23.9	2152	92
	750	73	20.1	2387	91
	500	49	16.2	2823	89
13.33	1500	113	22.7	1753	91
	1000	75	20.3	2352	91
	750	56	16.7	2551	90
	500	38	12.7	2845	88
16.5	1500	91	19.2	1815	90
	1000	61	17.4	2468	90
	750	45	14.1	2637	89
	500	30	10.9	2954	86
20.5	1500	73	16.2	1861	88
	1000	49	13.9	2395	88
	750	37	11.5	2612	87
	500	24	8.99	2957	84
25.5	1500	59	13.3	1879	87
	1000	39	11.4	2415	87
	750	29	9.69	2674	85
	500	20	7.27	2868	81
32	1500	47	10.7	1788	82
	1000	31	9.39	2353	82
	750	23	6.96	2297	81
	500	16	6.06	2833	76.5
40	1500	38	8.78	1744	78
	1000	25	7.27	2166	78
	750	19	6.36	2494	77
	500	13	4.69	2616	73
50	1500	30	7.12	1700	75
	1000	20	6.21	2224	75
	750	15	5.15	2426	74
	500	10	3.94	2634	70
64	1500	23	6.51	1910	72
	1000	16	5.6	2464	72
	750	12	5.14	2974	71
	500	8	4.24	3473	67

Note:
 1 All dimensions are in mm.
 2 Dimensions and other engineering data are subject to change. Certified specifications are available on request.